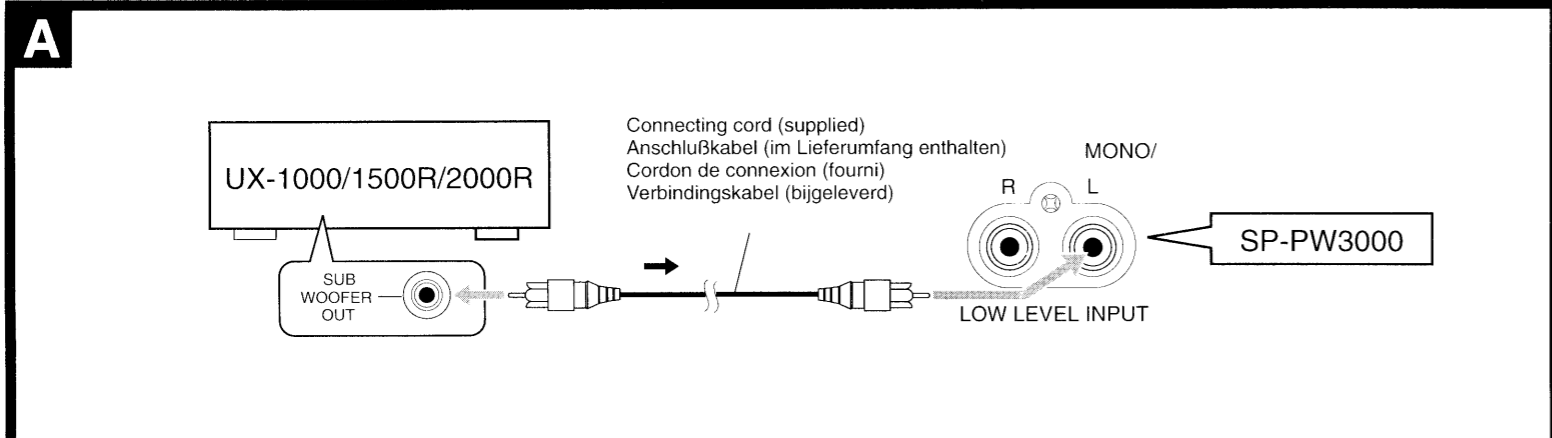
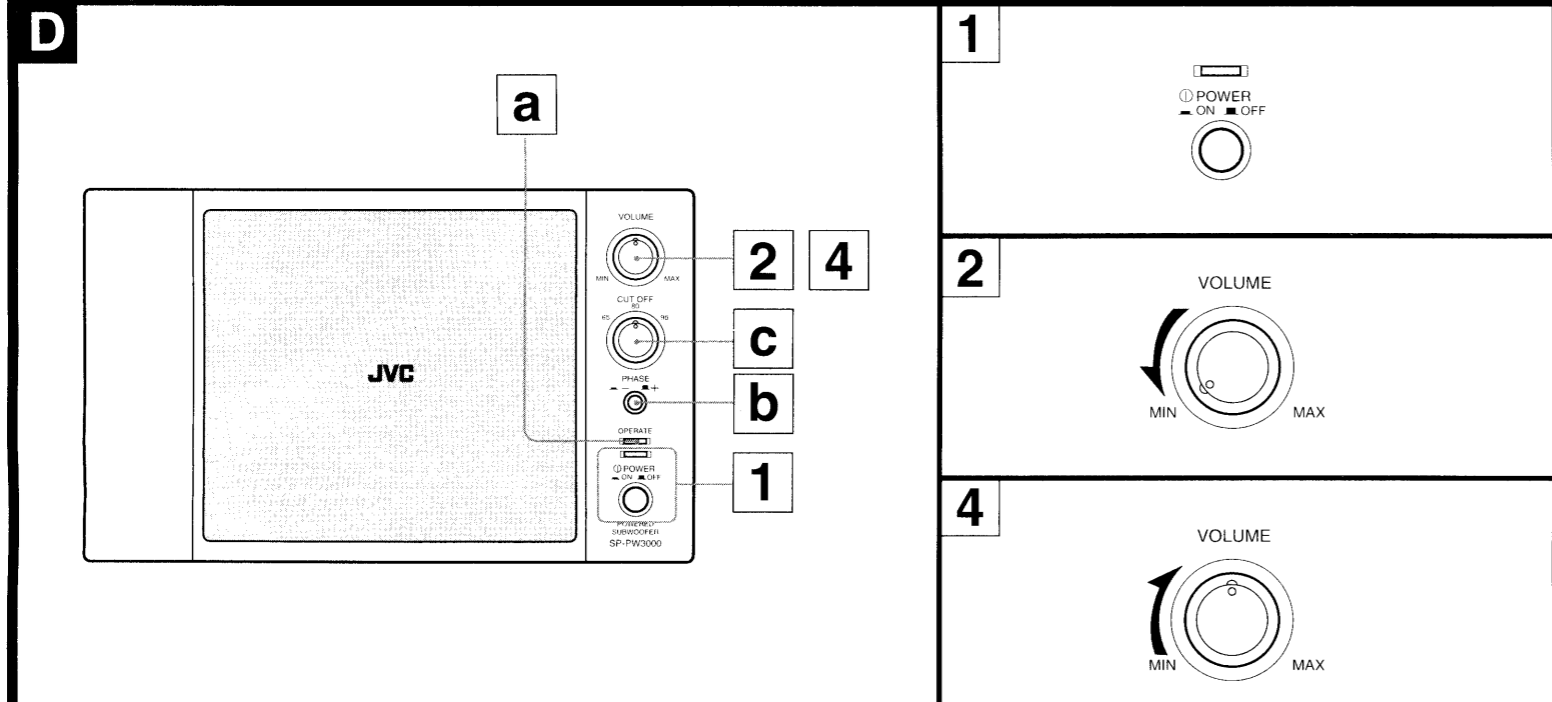
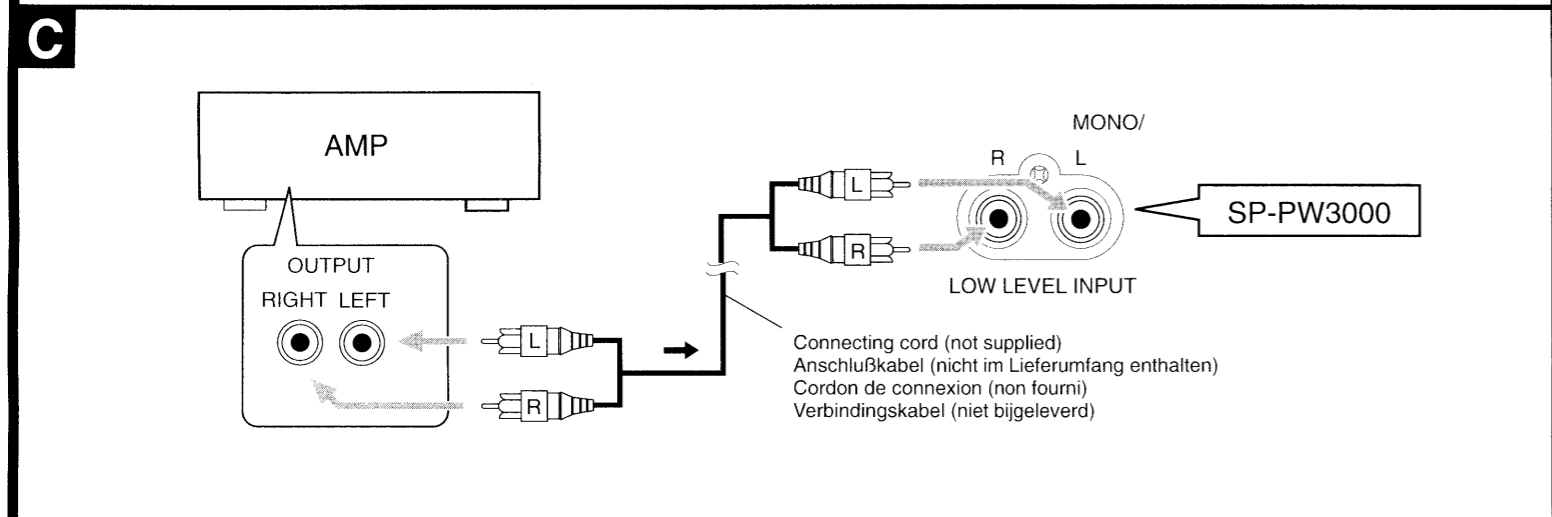
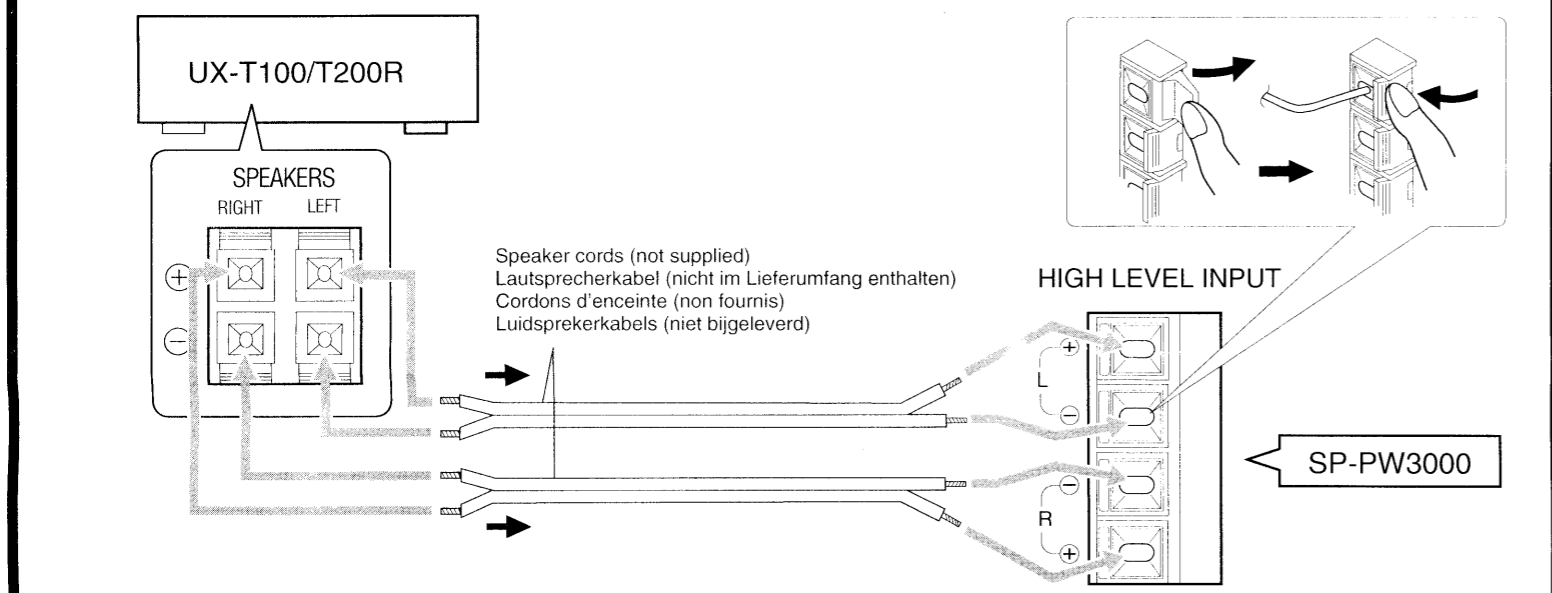


POWERED SUBWOOFER SUBWOOFER MIT EINGEBAUTEM VERSTÄRKER SUPER WOOFER AMPLIFIÉ SUBWOOFER MET VERSTERKING



- B**
- Connect the speaker cords in parallel to the speaker terminals on the Micro Component System.
 - Schließen Sie die Lautsprecherkabel parallel an die Lautsprecheranschlüsse am Mikrokomponentensystem an.
 - Connecter les cordons d'enceinte en parallèle aux prises d'enceinte de la microchaîne.
 - Sluit de luidsprekerkabels parallel aan op de luidsprekeransluitpunten op het Mikrokomponentensysteem.



Thank you for purchasing this JVC product. Please read these instructions carefully before starting operation to be sure to obtain optimum performance and a longer service life from the unit.

IMPORTANT (In the United Kingdom)
Mains Supply (AC 230V $\sqrt{}$, 50 Hz only)
DO NOT cut off the mains plug from this equipment. If the plug fitted is not suitable for the power points in your home or the cable is too short to reach a power point, then obtain an appropriate safety approved extension lead or consult your dealer. BE SURE to replace the fuse only with an identical approved type, as originally fitted, and to replace the fuse cover.
If nonetheless the mains plug is cut off ensure to remove the fuse and dispose of the plug immediately, to avoid a possible shock hazard by inadvertent connection to the mains supply.

IMPORTANT
DO NOT make any connection to the terminal which is marked with the letter E or by the safety earth symbol or coloured green or green-and-yellow. The wires in the mains lead on this product are coloured in accordance with the following code:

Blue to N (Neutral) or Black
Brown to L (Live) or Red

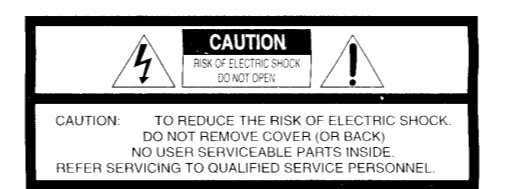
As these colours may not correspond with the coloured markings identifying the terminals in your plug proceed as follows:

The wire which is coloured blue must be connected to the terminal which is marked with the letter N or coloured black.

The wire which is coloured brown must be connected to the terminal which is marked with the letter L or coloured red.

IF IN DOUBT - CONSULT A COMPETENT ELECTRICIAN.

WARNING:
TO REDUCE THE RISK OF FIRE OR ELECTRIC SHOCK, DO NOT EXPOSE THIS APPLIANCE TO RAIN OR MOISTURE.



The lightning flash with arrowhead symbol, within an equilateral triangle is intended to alert the user to the presence of uninsulated "dangerous voltage" within the product's enclosure that may be of sufficient magnitude to constitute a risk of electric shock to persons.

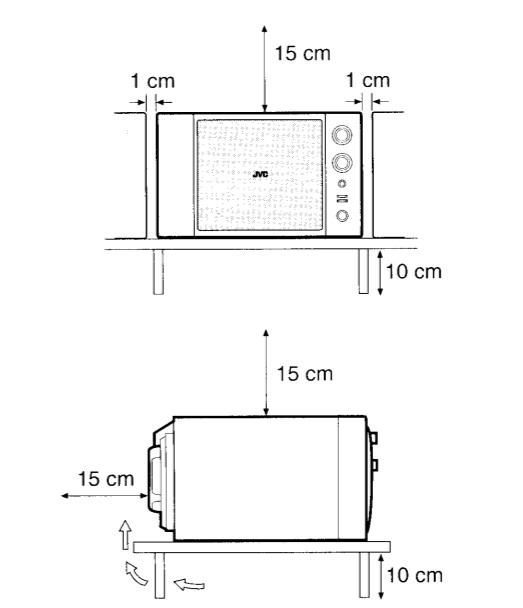
The exclamation point within an equilateral triangle is intended to alert the user to the presence of important operating and maintenance (servicing) instructions in the literature accompanying the appliance.

SAFETY PRECAUTIONS
Prevention of Electric Shocks, Fire Hazards and Damage

1. Do not handle the power cord with wet hands.
2. When unplugging from the wall outlet, always grasp and pull the plug, not the power cord.
3. Consult your nearest dealer when damage, disconnection, or contact failure affects the cord.
4. Do not bend the cord severely, or pull or twist it.
5. Do not modify the power cord in any manner.
6. To avoid accidents, do not remove screws to disassemble the unit and do not touch anything inside the unit.
7. Do not insert any metallic objects into the unit.
8. Unplug the power cord when there is a possibility of lightning.
9. If water gets inside the unit, unplug the power cord from the outlet and consult your dealer.
10. Do not block the unit's ventilation holes that allow heat to escape.
11. Do not install the unit in a badly ventilated place.
12. Do not place the unit upside down.
13. Be sure to unplug the power cord from the outlet when going out or when the unit is not in use for an extended period of time.

Caution: Proper Ventilation
To avoid risk of electric shock and fire, and to prevent damage, locate the apparatus as follows:

1. Front:
No obstructions and open spacing.
2. Sides/ Top/ Back:
No obstructions should be placed in the areas shown by the dimensions below.
3. Bottom:
Place on the level surface. Maintain an adequate air path for ventilation by placing on a stand with a height of 10 cm or more.



HANDLING PRECAUTIONS
Do not use this unit in direct sunlight where it would be exposed to high temperatures above 40°C (104°F).

1. **Avoid installing in the following places**
 - Where it could be subject to vibrations.
 - Where it is excessively humid, such as in a bathroom.
 - Where it could be magnetized by a magnet or speaker.
2. **Condensation**
In the following cases, condensation may occur in the unit, in which case the unit may not operate correctly.
 - In a room where a heater has just been switched on.
 - In a place where there is smoke or high humidity.
 - When the unit is moved directly from a cold to a warm room.
 In these cases, set the POWER button to OFF and wait 1 or 2 hours before use.
3. **Volume setting**
CDs/MDs produce very little noise compared with analogue sources. If the volume level is adjusted for these sources, the speakers may be damaged by the sudden increase of output level. Therefore, lower the volume before operation and adjust it as required during play.
4. **Keep this unit away from your TV**
When this unit is used near a TV, the TV picture could be distorted. If this happens, move this unit away from the TV. If this does not correct the situation, avoid using this unit when the TV is turned on.
5. **Cleaning the cabinet**
If the cabinet gets dirty, wipe it with a soft, dry cloth. Never use benzine or thinner as these could damage the surface finish.

CONNECTIONS:

- Plug the AC power cord after all connections are complete.
- A** When connecting JVC Ultra Micro Component System (UX-1000/1500R/2000R)
 - B** When connecting JVC Micro Component System (UX-T100/T200R etc.)

Note: No sound comes out of this speaker if you connect the headphones to your Micro Component System.

- C** When connecting a Preamplifier of any manufacturers'

CAUTION: DO NOT use the REC OUT jacks of the preamplifier to connect this speaker.

OPERATIONS: **D**

Presetting the Volume
You need to preset the volume level of this speaker to match those of the other speakers. Once you preset the volume level, it is stored as your reference level and the volume level of this speaker will be able to automatically change as the volume level of the stereo system changes.

- 1 Turn on the power.
The POWER indicator lights up.
- 2 Set the volume to "MIN."
- 3 Adjust the volume of the connected stereo system to your listening level.
- 4 Adjust the volume to balance it with those of the other speakers.

To turn off this speaker, press the POWER button again so that the POWER indicator goes off. (The indicator may not go off immediately.)

About the OPERATE Indicator (a)
The OPERATE indicator lights up while sound signals are coming into this speaker.

Adding the Richness to the Bass (PHASE: b)
Normally set the PHASE button in the "■ +" position. If you want to add the richness more to the bass, press the PHASE button to set it either in the "■ -" position or the "■ +" position, whichever can add the richness to the bass.

Cutting Off the Higher Frequencies (CUT OFF: c)
Set the CUT OFF selector to the position giving you the preferable sound, according to the other speaker system used and to the played back music.

Automatic Operating Status On/Off
To save energy, this speaker enters the standby mode (the OPERATE indicator goes off) if no (or very weak) sound signals come into this unit for a while. When sound signals come in again (the OPERATE indicator comes on), this speaker enters the operating mode and reproduces the sounds.

Specifications

Model: Powered subwoofer
Speaker unit: Woofer 10 cm (4") x 2
Rated impedance: 4 Ω
Frequency response: 40 - 100 Hz
Output sound pressure level: 81 dB/W·m
Input terminals:
LOW LEVEL: 12 mV/56 kΩ
HIGH LEVEL: 230 mV/430 Ω
Output power: 25 W + 25 W (Max.)
20 W + 20 W (10% THD*)
Power requirements: AC 230 V $\sqrt{}$, 50 Hz
Power consumptions: 30 W
Dimensions: Approx. 258 x 158 x 294 mm (W/H/D)
Mass: Approx. 5.8 kg

* THD: Total Harmonic Distortion
Design and specifications are subject to change without prior notice.