



**WB-S621U**  
**WB-S622U**  
**WB-S623U**

**Pendant Mount**  
**Wall Mount**  
**Ceiling Bracket**

# INSTRUCTIONS

**Thank you for purchasing this product.**

To obtain the best results from your bracket, read these instructions carefully before use; retain the manual for future reference.

This instruction manual is made from recycled paper.

The "INSTRUCTIONS" section below is applicable to WB-S621U/WB-S622U/WB-S623U. Please refer to the installation procedures for the purchased product during installation.

<p>For Customer Use:  Enter below the Serial No. which is located on the body.  Retain this information for future reference.</p> <p>Model No. _____</p> <p>Serial No. _____</p>
--

These are general IMPORTANT SAFEGUARDS and certain items may not apply to all appliances.

## IMPORTANT SAFEGUARDS

1. Read all of these instructions.
2. Save these instructions for later use.
3. All warnings on the product and in the operating instructions should be adhered to.
4. Unplug this appliance system from the wall outlet before cleaning. Do not use liquid cleaners or aerosol cleaners. Use a damp cloth for cleaning.
5. Do not use attachments not recommended by the appliance manufacturer as they may cause hazards.
6. Do not use this appliance near water - for example, near a bathtub, washbowl, kitchen sink, or laundry tub, in a wet basement, or near a swimming pool, etc.
7. Do not place this appliance on an unstable cart, stand, or table. The appliance may fall, causing serious injury to a child or adult, and serious damage to the appliance may fall, causing serious injury to a child or adult, and serious damage to the appliance. Use only with a cart or stand recommended by the manufacturer, or sold with the appliance. Wall or shelf mounting should follow the manufacturer's instructions, and should use a mounting kit approved by the manufacturer. An appliance and cart combination should be moved with care. Quick stops, excessive force, and uneven surfaces may cause the appliance and cart combination to overturn.
8. Slots and openings in the cabinet and the back or bottom are provided for ventilation, and to insure reliable operation of the appliance and to protect it from overheating, these openings must not be blocked or covered. The openings should never be blocked by placing the appliance on a bed, sofa, rug, or other similar surface. This appliance should never be placed near or over a radiator or heat register. This appliance should not be placed in a built-in installation such as a bookcase unless proper ventilation is provided.
9. This appliance should be operated only from the type of power source indicated on the marking label. If you are not sure of the type of power supplied to your home, consult your dealer or local power company. For appliance designed to operate from battery power, refer to the operating instructions.
10. For added protection for this product during a lightning storm, or when it is left unattended and unused for long periods of time, unplug it from the wall outlet and disconnect the antenna or cable system. This will prevent damage to the product due to lightning and power-line surges.
11. Do not allow anything to rest on the power cord. Do not locate this appliance where the cord will be abused by persons walking on it.
12. Follow all warnings and instructions marked on the appliance.
13. Do not overload wall outlets and extension cords as this can result in fire or electric shock.
14. Never push objects of any kind into his appliance through cabinet slots as they may touch dangerous voltage points or short out parts that could result in a fire or electric shock. Never spill liquid of any kind on the appliance.
15. Do not attempt to service this appliance yourself as opening or removing covers may expose you to dangerous voltage or other hazards. Refer all servicing to qualified service personnel.
16. Unplug his appliance from the wall outlet and refer servicing to qualified service personnel under following conditions:
  - a. When the power cord or plug is damaged or frayed.
  - b. If liquid has been spilled into the appliance.
  - c. If the appliance has been exposed to rain or water.
  - d. If the appliance does not operate normally by following the operating instructions. Adjust only those controls that are covered by the operating instructions as improper adjustment of other controls may result in damage and will often require extensive work by a qualified technician to restore the appliance to normal operation.
  - e. If the appliance has been dropped or the cabinet has been damaged.
  - f. When the appliance exhibits a distinct change in performance - this indicates a need for service.
17. When replacement parts are required, be sure the service technician has used replacement parts specified by the manufacturer that have the same characteristics as the original part. Unauthorized substitutions may result in fire, electric shock, or other hazards.
18. Upon completion of any service or repairs to this appliance, ask the service technician to perform routine safety checks to determine that the appliance is in safe operating condition.

PORTABLE CART WARNING  
(symbol provided by RETAC)



S3125A

**For USA and CANADA**

	<b>CAUTION</b> RISK OF ELECTRIC SHOCK DO NOT OPEN	
<p>CAUTION: TO REDUCE THE RISK OF ELECTRIC SHOCK,  DO NOT REMOVE COVER (OR BACK).  NO USER SERVICEABLE PARTS INSIDE.  REFER SERVICING TO QUALIFIED SERVICE PERSONNEL.</p>		
	<p>The lightning flash with arrowhead symbol, within an equi-lateral triangle, is intended to alert the user to the presence of uninsulated "dangerous voltage" within the product's enclosure that may be of sufficient magnitude to constitute a risk of electric shock to persons.</p>	
	<p>The exclamation point within an equilateral triangle is intended to alert the user to the presence of important operating and maintenance (servicing) instructions in the literature accompanying the appliance.</p>	

**WARNING:**  
**TO PREVENT FIRE OR SHOCK HAZARD, DO NOT EXPOSE THIS UNIT TO RAIN OR MOISTURE.**

<p>Information for USA  This device complies with Part 15 of the FCC Rules.  Changes or modifications not approved by JVC could void the user's authority to operate the equipment.</p>
---

<p><b>INFORMATION (FOR CANADA) RENSEIGNEMENT (POUR LE CANADA)</b>  This Class [B] digital apparatus complies with Canadian ICES-003.  Cet appareil numérique de la classe [B] est conforme à la norme NMB-003 du Canada.</p>
--

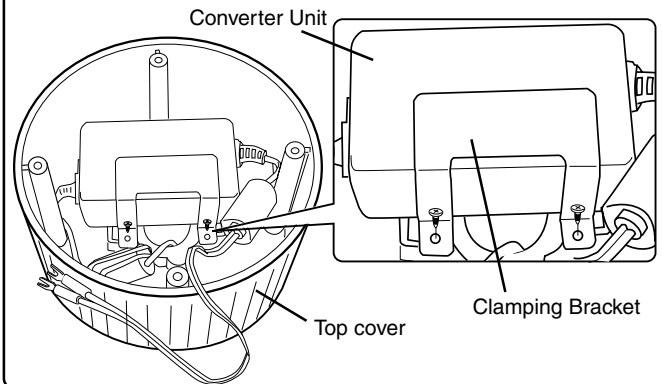
Due to design modification, data given in this instruction book are subject to possible change without prior notice.

## Precaution

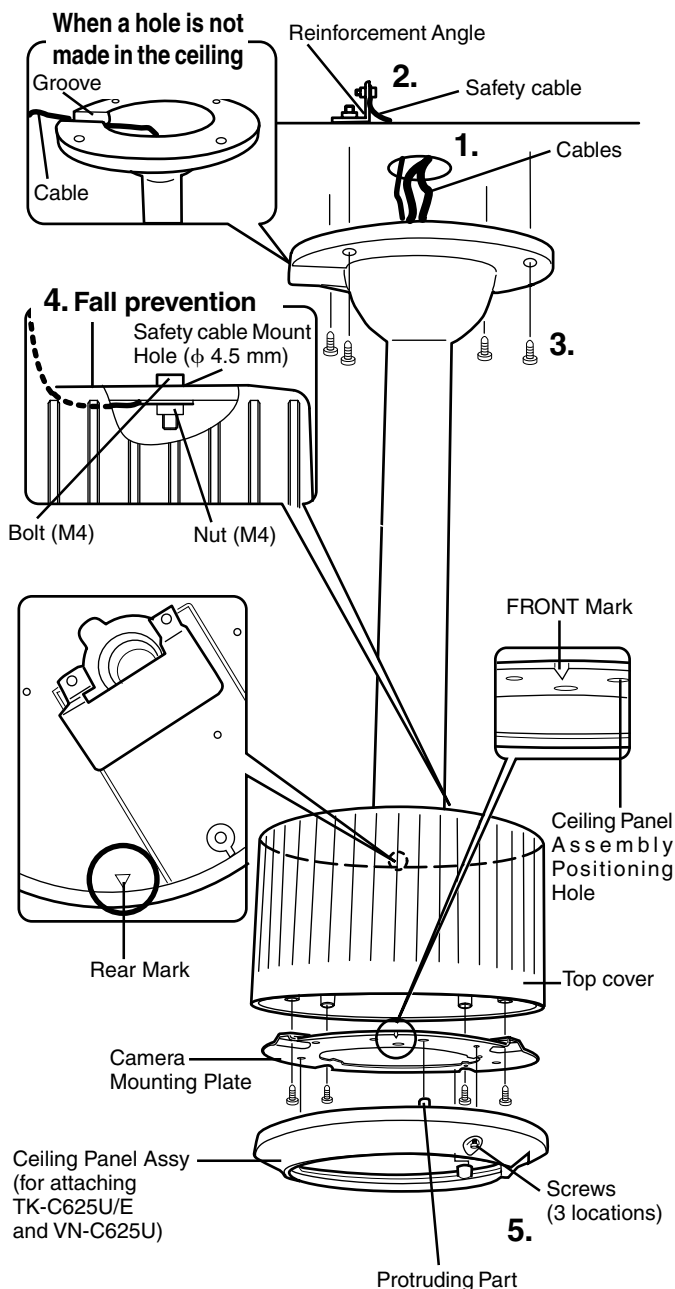
- This equipment is intended for indoor use only. Do not use it outdoors or at places that are exposed to rain or moisture.
- Do not attach devices other than TK-C625U/E, TK-C655E, TK-C676E, TK-C205(A)U/E, TK-C205VP(A)U/E, VN-C625U and VN-C655U to this mount/bracket.
- Install this mount/bracket horizontally. Do not tilt it during use.
- Do not install or use the unit in the following places.
  - In a place exposed to rain or moisture.
  - In a temperature outside the operating temperature range (-10°C to 50°C (14°F to 122°F)).
  - In a place where corrosive gasses are generated.
  - In a place subject to vibration.
- When attaching VN-C625U, VN-C655U to this mount/bracket, please refer to the "INSTRUCTIONS" section of VN-C625U, VN-C655U for procedures to install the converter unit.
- Please refer to the "INSTRUCTIONS" section of the camera in use for procedures to attach the camera.

## Installing the Converter Unit

When using VN-C625U or VN-C655U, attach using the clamping bracket inside the top cover of the converter unit (supplied with the camera).



## Installation Procedures WB-S621U Pendant Mount



### 1. Make a hole in the ceiling.

To route cables through the ceiling, make a hole of  $\phi$  30 mm ( $\phi$  1 1/4") in the ceiling.

### 2. Route the safety cable and other cables

Route the safety cable and cables that is attached to the reinforcement angle through the pendant mount.

When a hole is not made in the ceiling, route the cables through the groove of the pendant Mount.

### 3. Mount the Pendant Mount to the Ceiling.

Attach the pendant mount to the ceiling using 4 or bolts (M5 - M6).

#### CAUTION

The camera may drop or images on the screen may appear shaky if the ceiling material is not strong enough. In this case, reinforce using a reinforcement materials.

### 4. Connect the safety cable.

Upon removing the camera mounting plate, attach the safety cable (not supplied) to the safety cable mount hole ( $\phi$  4.5 mm ( $\phi$  1/8")) at the interior of the top cover using the M4 Bolt (not supplied) and M4 Nut (not supplied).

When attaching the camera mounting plate, ensure that the Front mark on the camera mounting plate is facing a direction opposite to the Rear mark on the top cover.

#### CAUTION

Pay particular caution to the length, strength, pull and material of the safety cable in use to prevent the plate from falling.

### 5. Install the ceiling panel assembly (for attaching TK-C625U/E and VN-C625U)

To install, align the protruding part of the ceiling panel assembly with the ceiling panel assembly positioning hole near the Front mark of the camera mounting plate. Ensure to tighten the screws (3 locations) assembled to the ceiling panel assembly.

#### NOTE

The screws are assembled to the ceiling panel assembly in such a way that they will not come off.

### 6. Connect the Cables.

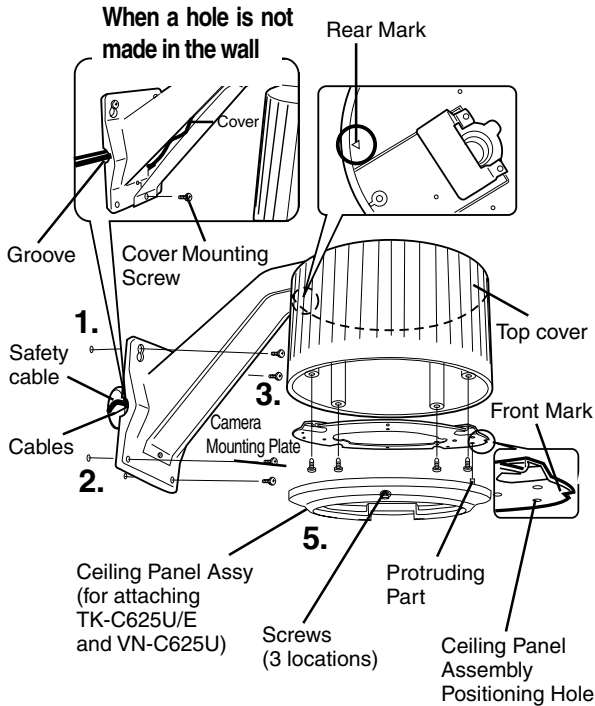
Connect cables to the camera.

For details, please refer to "INSTRUCTIONS" section of the camera in use.

### 7. Attach the camera's ceiling mount. (Not applicable to TK-C205(A)U/E and TK-C205VP(A)U/E)

Attach the camera's ceiling mount to the camera mounting plate using the 4 screws (M4 x 20 mm) supplied with the pendant mount. Ensure that the FRONT mark on the camera mounting plate aligns with the Front mark on the ceiling mount.

# WB-S622U Wall Mount



## 1. Make a hole

To route cables through the wall, make a hole of  $\phi 30$  mm ( $\phi 1\ 1/8$ ") in the wall.

## 2. Route the safety cable and other cables

Open the cover and route the safety cable and other cables through this wall mount. Please refer to "About Fall Prevention" for procedures to install the safety cable. When a hole is not made in the wall, route the cables pulled to the wall stand through the groove of the Wall Mount.

### CAUTION

The camera may drop or images on the screen may appear shaky if the ceiling material is not strong enough. In this case, reinforce using a reinforcement materials.

## 3. Attach the wall mount to the wall

Attach the wall mount to the wall using 4 bolts (M5).

## 4. Connect the safety cable.

Upon removing the camera mounting plate, attach the safety cable (not supplied) to the interior of the top cover using the M3 screw. (Refer to "About Fall Prevention".)

When attaching the camera mounting plate, ensure that the Front mark on the camera mounting plate is facing a direction opposite to the Rear mark on the top cover.

## 5. Install the ceiling panel assembly (for attaching TK-C625U/E and VN-C625U)

To install, align the protruding part of the ceiling panel assembly with the ceiling panel assembly positioning hole near the Front mark of the camera mounting plate.

Ensure to tighten the screws (3 locations) assembled to the ceiling panel assembly.

### NOTE

The screws are assembled to the ceiling panel assembly in such a way that they will not come off.

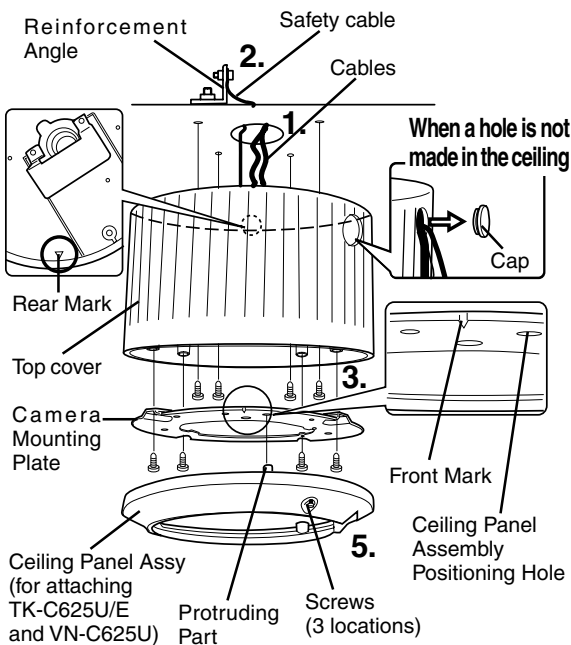
## 6. Connect the cables.

Connect cables to the camera. For details, please refer to "INSTRUCTIONS" section of the camera in use.

## 7. Attach the camera's ceiling mount. (Not applicable to TK-C205(A)U/E and TK-C205VP(A)U/E)

Attach the camera's ceiling mount to the camera mounting plate using the 4 screws (M4 x 20 mm) supplied with the wall mount. Ensure that the Front mark on the camera mounting plate aligns with the Front mark on the ceiling mount.

# WB-S623U Ceiling Bracket



## 1. Make a hole in the ceiling.

To route cables through the ceiling, make a hole of  $\phi 30$  mm ( $\phi 1\ 1/8$ ") in the ceiling.

## 2. Route the safety cable and other cables

Route the safety cable and other cables through the ceiling bracket. Please refer to "About Fall Prevention" for procedures to install the safety cable.

When a hole is not made in the ceiling, route the cables through the hole at one side of the Ceiling Bracket. Remove the cap covering the hole before routing the cables through.

### CAUTION

The camera may drop or images on the screen may appear shaky if the ceiling material is not strong enough. In this case, reinforce using a reinforcement materials.

## 3. Mount the ceiling bracket to the ceiling.

Mount the ceiling bracket to the ceiling using 4 M4 screws.

## 4. Connect the safety cable.

Upon removing the camera mounting plate, attach the safety cable (not supplied) to the interior of the top cover using the M3 screw. (Refer to "About Fall Prevention".)

When attaching the camera mounting plate, ensure that the Front mark on the camera mounting plate is facing a direction opposite to the Rear mark on the top cover.

## 5. Install the ceiling panel assembly (for attaching TK-C625U/E and VN-C625U)

To install, align the protruding part of the ceiling panel assembly with the ceiling panel assembly positioning hole near the Front mark of the camera mounting plate.

Ensure to tighten the screws (3 locations) assembled to the ceiling panel assembly.

### NOTE

The screws are assembled to the ceiling panel assembly in such a way that they will not come off.

## 6. Connect the cables.

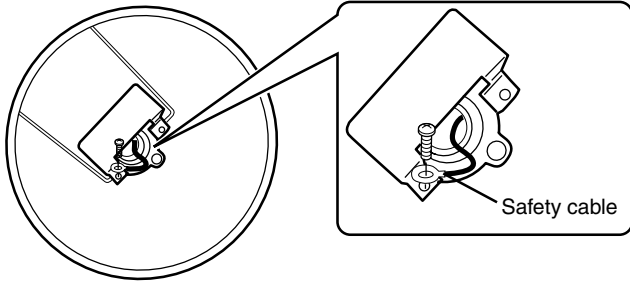
Connect cables to the camera. For details, please refer to "INSTRUCTIONS" section of the camera in use.

## 7. Attach the camera's ceiling mount. (Not applicable to TK-C205(A)U/E and TK-C205VP(A)U/E)

Attach the camera's ceiling mount to the camera mounting plate using the 4 screws (M4 x 20 mm) supplied with the ceiling bracket. Ensure that the Front mark on the camera mounting plate aligns with the Front mark on the ceiling mount.

## About Fall prevention (Safety cable not included.)

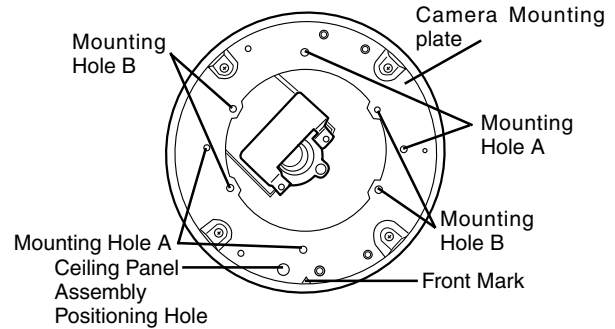
Connect the reinforcement material or reinforcement angle to this camera to prevent it from falling.  
For the used safety cable, pay particular caution to the length, strength, pull, material.



When the camera mounting plate is removed.

## Installing the Camera

Attach the camera to the camera mounting plate.  
Ensure that the Front mark on the camera mounting plate aligns with the Front mark on the camera.  
For TK-C625U/E and VN-C625U, attach the ceiling panel assembly to the camera mounting plate before installing the camera.  
Mounting Hole A : For TK-C655E, TK-C676E, VN-C655U, TK-C205(A)U/E and TK-C205VP(A)U/E  
Mounting Hole B : For TK-C625U/E and VN-C625U



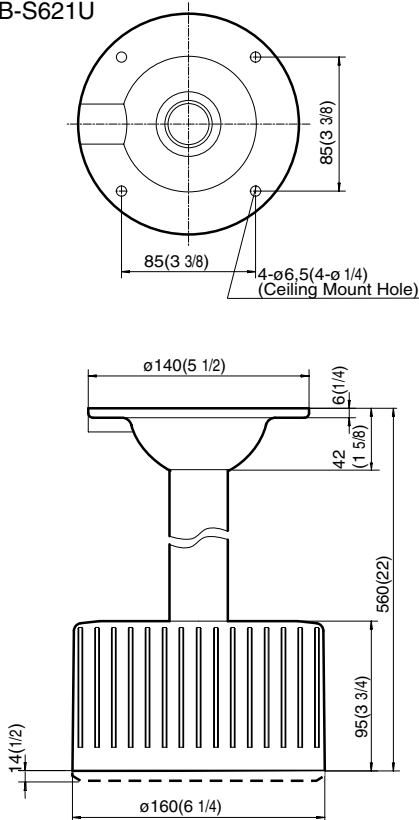
## Specifications

- Operating temperature : -10 °C to 50 °C (14 °F to 122 °F)
- Mass : Body : WB-S621U; 2.0 kg, WB-S622U; 1.8 kg, WB-S623U; 1.0 kg  
Ceiling Panel Assy : 37.4 g (Same for WB-S621U, WB-S622U and WB-S623U)

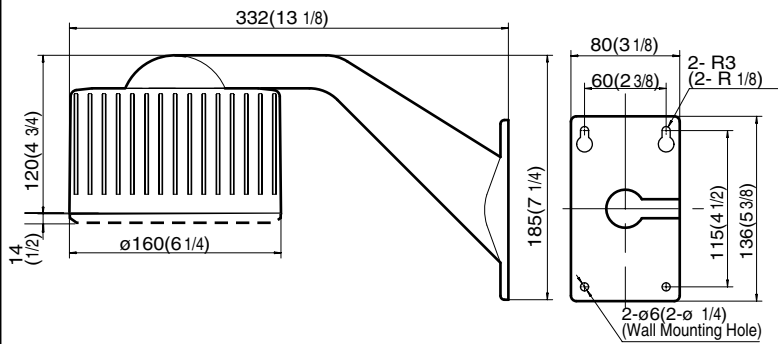
- Accessories (Same for WB-S621U, WB-S622U and WB-S623U)
  - Instructions ..... 1
  - Screw (M4 x 20 mm : For mounting camera) ..... 4
  - Ceiling Panel Assy ..... 1

■ Extnal dimensions [Unit:mm(inches)] \*Design and specifications are subject to change without notice.

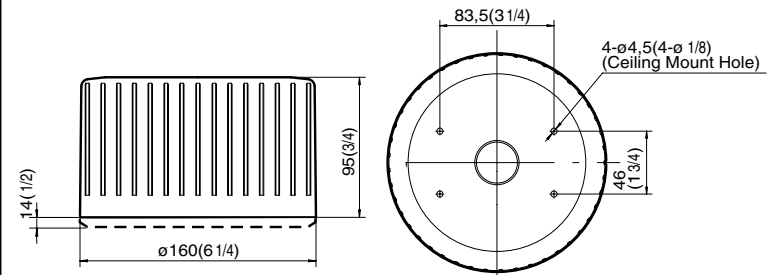
### WB-S621U



### WB-S622U



### WB-S623U



JVC® is a Registered Trademark owned by Victor Company of Japan, Limited.  
JVC® is a Registered Trademark in Japan, the U.S.A., the U.K. and many other countries.  
© 2005 Victor Company of Japan, Limited

Printed in China  
LWT0267-001A-C