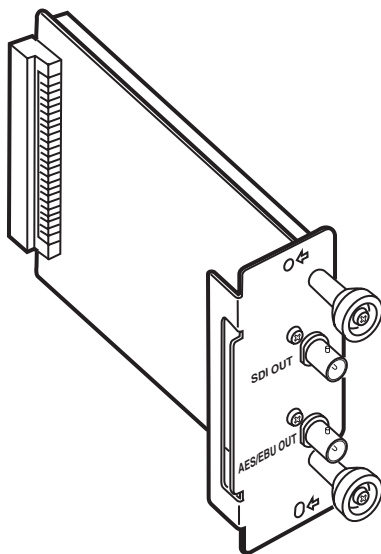




SDI OUT

SA-X65U

INSTRUCTIONS



For Customer Use:

Enter below the Serial No. which is located on the body. Retain this information for future reference.

Model No. SA-X65U

Serial No. _____

This instruction book is made from 100% recycled paper.

SAFETY PRECAUTIONS (FOR USA AND CANADA)

WARNING:

TO REDUCE THE RISK OF FIRE OR ELECTRIC SHOCK, DO NOT EXPOSE THIS APPLIANCE TO RAIN OR MOISTURE.

Note:

The rating plate (serial number plate) is on this unit.

INFORMATION

This equipment has been tested and found to comply with the limits for a Class A digital device, pursuant to Part 15 of the FCC Rules. These limits are designed to provide reasonable protection against harmful interference when the equipment is operated in a commercial environment. This equipment generates, uses, and can radiate radio frequency energy and, if not installed and used in accordance with the instruction manual, may cause harmful interference to radio communications. Operation of this equipment in a residential area is likely to cause harmful interference in which case the user will be required to correct the interference at his own expense.

CAUTION

CHANGES OR MODIFICATIONS NOT APPROVED BY JVC COULD VOID USER'S AUTHORITY TO OPERATE THE EQUIPMENT.

THIS DEVICE COMPLIES WITH PART 15 OF THE FCC RULES. OPERATION IS SUBJECT TO THE FOLLOWING TWO CONDITIONS: (1) THIS DEVICE MAY NOT CAUSE HARMFUL INTERFERENCE, AND (2) THIS DEVICE MUST ACCEPT ANY INTERFERENCE RECEIVED, INCLUDING INTERFERENCE THAT MAY CAUSE UNDESIRE OPERATION.

AVERTISSEMENT:

POUR EVITER LES RISQUES D'INCENDIE OU D'ELECTRO-CUTION, NE PAS EXPOSER L'APPAREIL A L'HUMIDITE OU A LA PLUIE.

REMARQUE:

La plaque d'identification (numéro de série) se trouve sur l'appareil.

**INFORMATION (FOR CANADA)
RENSEIGNEMENT (POUR CANADA)**

This Class A digital apparatus complies with Canadian ICES-003.

Cet appareil numérique de la Class A est conforme à la norme NMB-003 du Canada.

SAFETY PRECAUTIONS (FOR EUROPE)

WARNING:

TO REDUCE THE RISK OF FIRE OR ELECTRIC SHOCK, DO NOT EXPOSE THIS APPLIANCE TO RAIN OR MOISTURE.

WARNING

This is a Class A product. In a domestic environment this product may cause radio interference in which case the user may be required to take adequate measures.

Supplement

This equipment is in conformity with the provisions and protection requirements of the corresponding European Directives. This equipment is designed for professional video appliances and can be used in the following environments:

- Controlled EMC environment (for example purpose built broadcasting or recording studio), and the rural outdoors environment (far away from railways, transmitters, overhead power lines, etc)

In order to keep the best performance and furthermore for electromagnetic compatibility we recommend to use cables not exceeding the following lengths:

Port	Cable	Length
SDI OUT	Coaxial cable	10 meters
AES/EBU OUT	Coaxial cable	10 meters

Caution

Where there are strong electromagnetic waves or magnetism, for example near a radio or TV transmitter, transformer, motor, etc., the picture and sound may be disturbed. In such a case, please keep the apparatus away from the sources of the disturbance.

Thank you for purchasing the SA-X65U SDI OUT

By connecting the SDI output board to the DV VIDEOCASSETTE RECORDER BR-DV6000, serial digital video signals (SMPTE259M-compliant) and digital audio signals (AES/EBU) can be output.

- This board also simultaneously outputs EMBEDDED AUDIO.

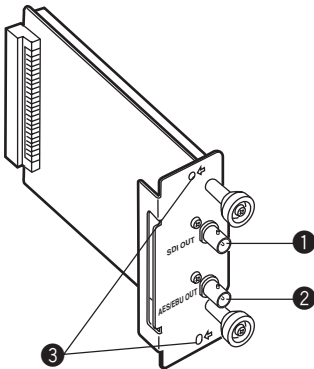
About restrictions of BR-DV6000

- In case, these two models with bottom 4 digits of serial number is more than below number, it is compatible with SA-X65U. BR-DV6000U #0651, BR-DV6000EC #0191
- BR-DV6000E marked with (B) on the Rating Label is compatible with SA-X65U.
(Bottom 4 digits of serial number is more than #0881)

For details, please contact your JVC dealer.

Part names and Functions

[FRONT]



① [SDI OUT] SDI output connector

Output serial digital video signal (SMPTE259M – compliant).
The EMBEDDED AUDIO (SMPTE272M – compliant) is simultaneously output.

Caution

To avoid causing malfunction, please do not touch this terminal except when connecting cable to it.

② [AES/EBU OUT] Digital audio output connector

Outputs digital audio interface standard (AES/EBU) digital audio signals.

③ Mounting screw hole

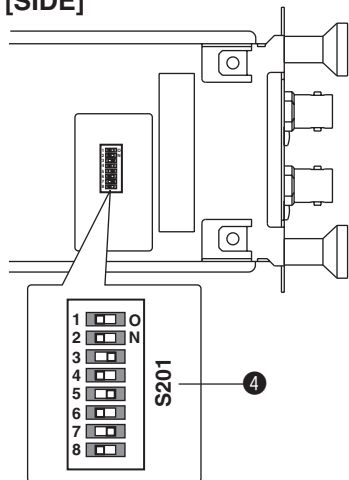
These are the screw holes for mounting the SA-X65U SDI OUT to the BR-DV6000.

MEMO

- The embedded audio is only compatible with channels 1 and 2. The same data which is output on channels 1 and 2, is also output on channels 3 and 4.
- The embedded audio and AES/EBU are output in 48 kHz/20 bit mode regardless of the original source.
- In the case of the following, “NO EMBEDDED AUDIO” may temporarily be detected by the connected device:
 - When the VTR mode is switched such as STOP → PLAY mode, etc.
 - When the input selection of BR-DV6000 is switched, or when input signals or reference signals are inserted/removed.
 - When unrecorded portion of a tape is played back.
 - When the audio sample frequency mode is switched.

Part names and Functions (continued)

[SIDE]



4 Setting switch

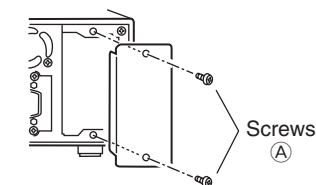
Setting switches for factory adjustment only.

Caution

- Do not change the settings for switch (S201).
- 3, 5, and 7 are initially set to ON for switch (S201), all of the other values are set to OFF.

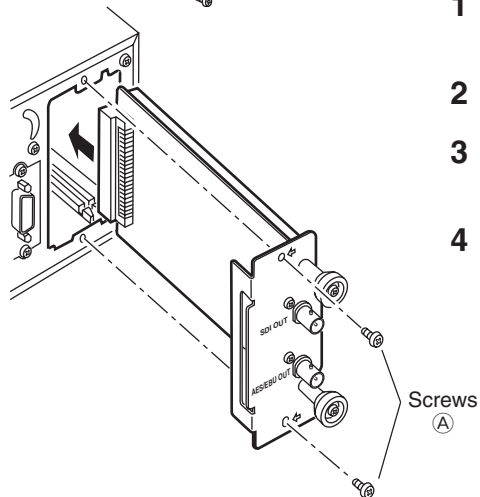
Installation Procedures

The replacement procedure is described below. However, to prevent electrical shock or injury, the work should be performed only by a qualified personnel or a JVC authorized service agent.



Caution

To prevent electrical shock, remove the AC adaptor before installing SA-X65U.



1 Remove the slot cover by removing the two (A) screws, which are securing the cover.

2 Insert SA-X65U into BR-DV6000.

3 Fix SA-X65U to BR-DV6000 with the two (A) screws, removed in 1.

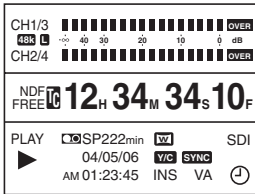
4 Turn on the BR-DV6000 power.

Indication on the LCD

Attach the SA-X65U SDI OUT to the BR-DV6000, and the SDI card status will be displayed on the LCD screen of the BR-DV6000.

The card status is displayed when setting the LCD screen to the Enlarged display mode.

LCD screen



SDI

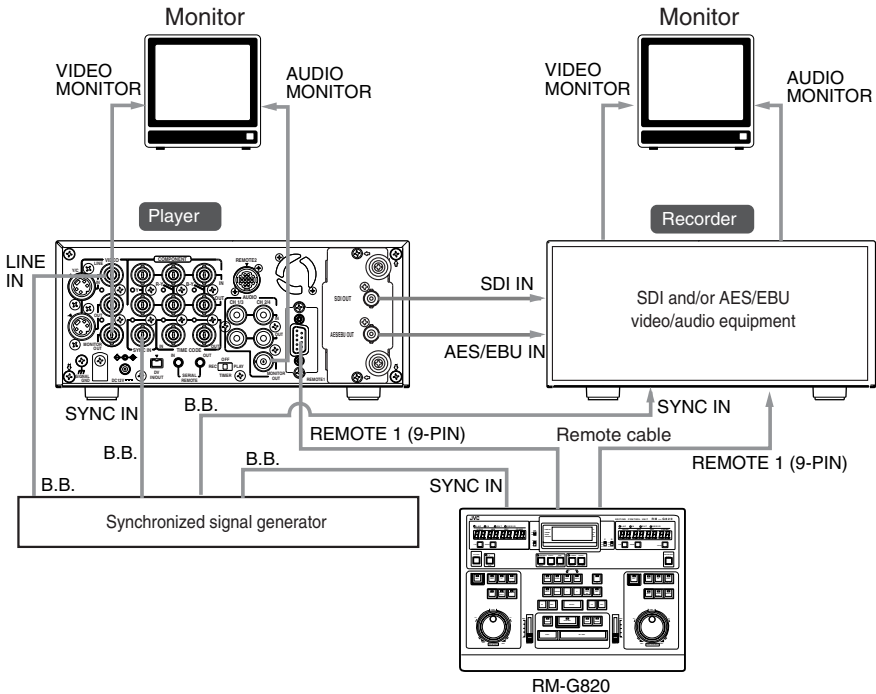
System

■ When an RS-422A-compatible remote controller is used:

For the editing remote controller, use RM-G820.

When connecting

- Perform this when the unit is off.
- Read the instruction manual of the unit before performing it.



MEMO

- In order to enhance the level of editing precision, input synchronization signals (black burst signals) to all devices.
- In order to synchronize the video output signal in E-E mode, input synchronization signals into the LINE input of BR-DV6000 as well and set the input switch to "LINE".

Specifications

■ General

Power : DC12 V(supplied from the VCR installation)

Power consumption : 1.5 W

External dimension :

135.2 mm (W) 81 mm (H) 42 mm (D)
(Excluding protruding parts)

Weight : 150 g

Allowable operating temperature : 5°C to 40°C

Allowable storage temperature : -20°C to 60°C

Allowable operating RH : 30%RH to 80%RH

■ Video/Audio : [SDI OUT]

Output video signal : Serial digital signal conforming to SMPTE259M

(EMBEDDED AUDIO) : Serial digital signal conforming to SMPTE272M

Output impedance : 75 Ω (BNC) unbalanced

Output level : 800 mV (p-p) ±10%

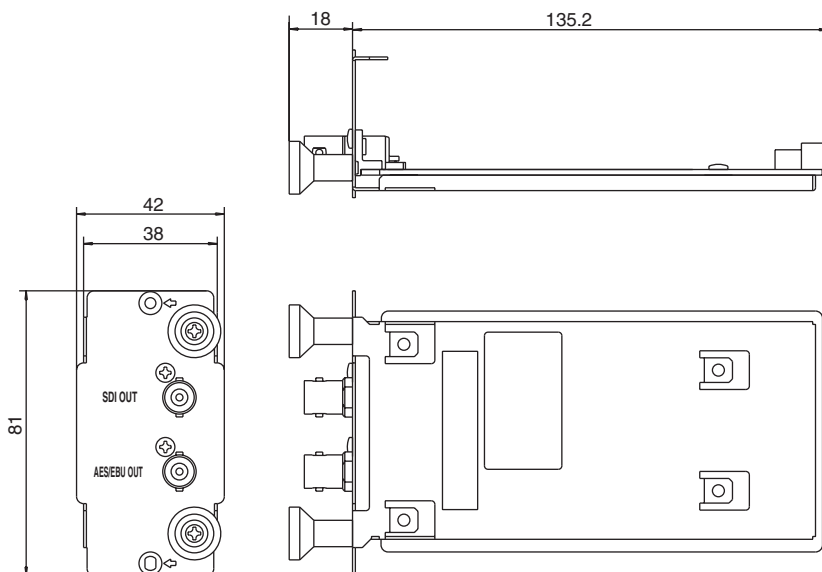
■ Audio : [AES/EBU OUT]

Output audio signal : digital audio signal conforming to AES/EBU

Output impedance : 75 Ω (BNC) unbalanced

Output level : 1.0 V (p-p)

■ External dimensions (Unit : mm)



For improvement, the specifications and external appearance may be changed without prior notice.



JVC is a registered trademark owned by Victor Company of Japan, Limited.

JVC is a registered trademark in Japan, the U.S.A., the U.K. and many other countries.

© 2004 Victor Company of Japan, Limited

Printed in Japan

LLT0065-001B